



**Part # 14-034**

**&**

**Part #14-027**

## **X-Series Brush Guard**

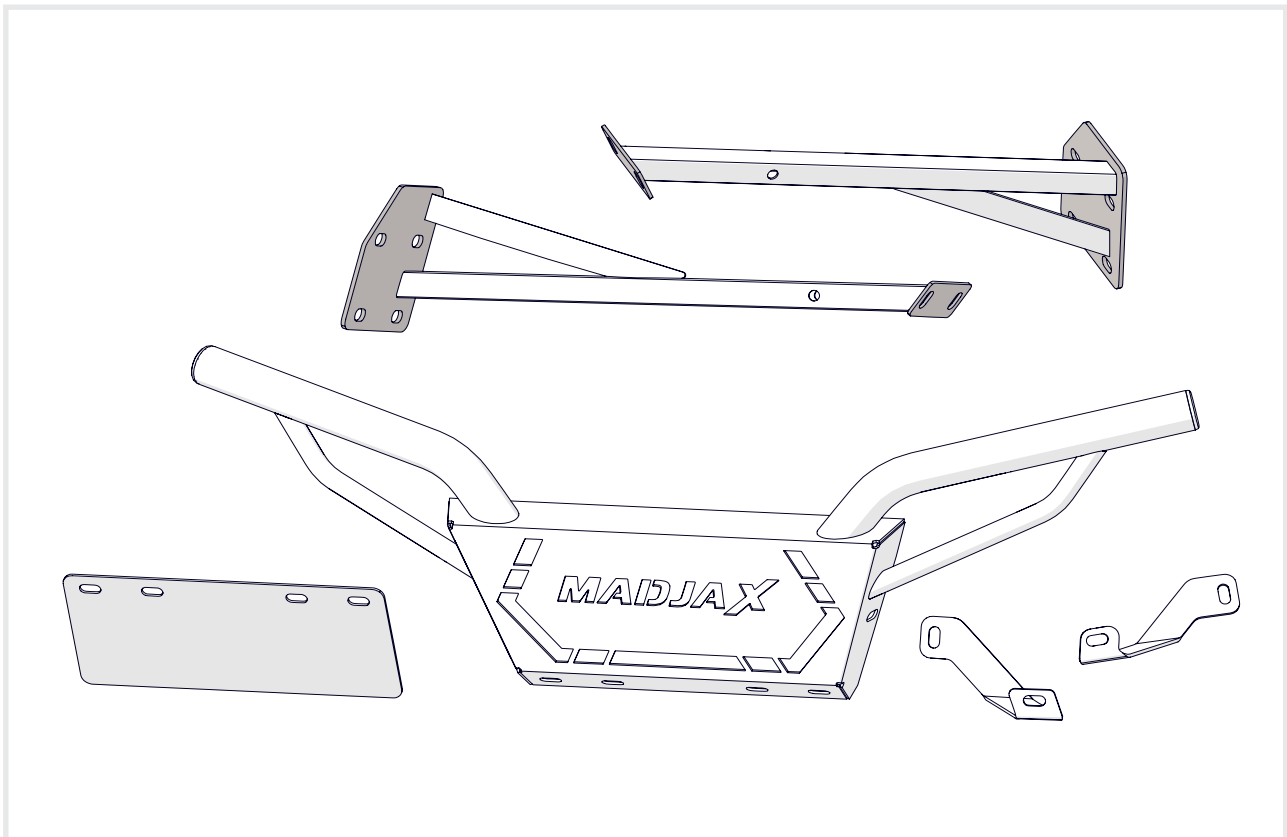


### **ITEMS INCLUDED**

- Brush Guard
- Passenger & Driver Side Mounting Bracket
- Passenger & Driver Side Support Bracket
- Skid Plate
- Hardware Pack

### **TOOLS NEEDED**

- 3/8 Ratchet
- 5mm Allen
- 17mm Socket
- 13mm Wrench
- Level
- Drill
- 1/8" Drill Bit



**MadJax recommends professional installation. If you choose to not have this product installed by a professional, we highly recommend that you exercise cause, care, and patience when installing this product. The MadJax Limited Warranty only covers defects in materials and workmanship, and does not cover damage due to improper installation. If you are having difficulty installing this product, contact your Authorized MadJax Dealer.**

Be sure to read all instructions before starting installation.

## STEP 1



Drill  
1/8" Drill Bit

Roll the top of the floormat down away from the cup holders. Drill out and remove the two rivets circled in the image.



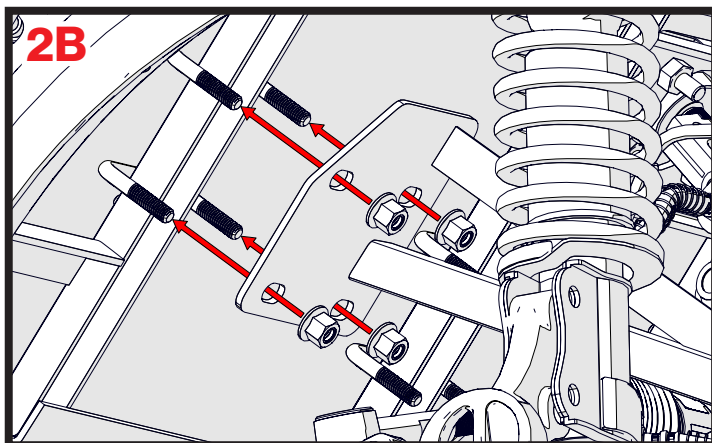
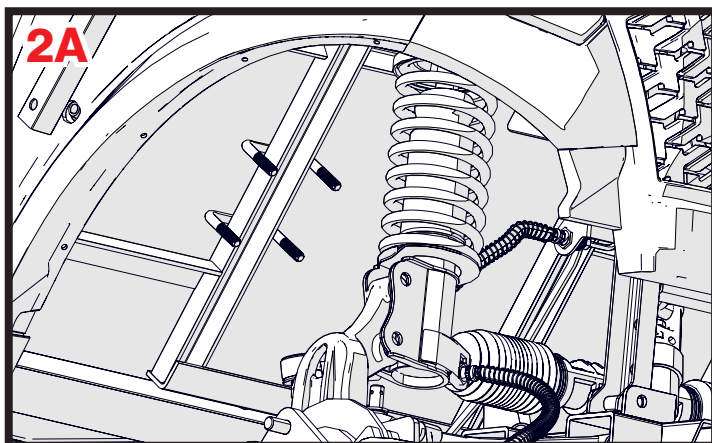
## STEP 2



17mm Socket

A) Starting on the Pass side place the U-bolts around the frame as shown.

B) Place the **Pass Side Mounting Bracket** to the inside of the factory shock and secure to the frame with the U-bolts and provided M10 hardware. Snug up the bracket. **Do NOT fully tighten hardware.**



Note: The Pass Side Bracket stiffener arm should be up as shown.

## STEP 3

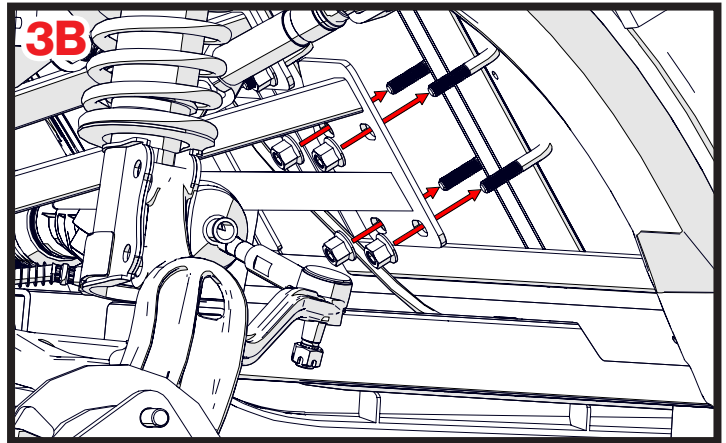
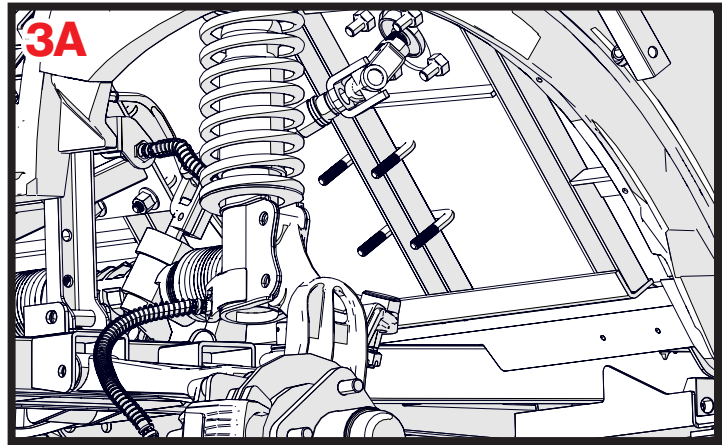


17mm Socket

A) On the Driver side place the U-bolts around the frame as shown.

B) Place the **Driver Side Mounting Bracket** to the inside of the factory shock and secure to the frame with the U-bolts and provided M10 hardware. Snug up the bracket. **Do NOT fully tighten hardware.**

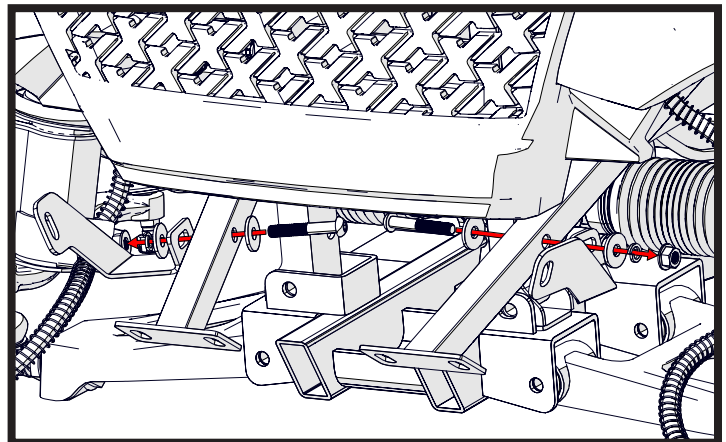
Note: Driver Side stiffener arm will be on the bottom as shown.



## STEP 4

Install the **Side Support Brackets** to the front of the **Mounting Brackets** as shown with the M8 x 50mm button head bolt, nut, and washers. Loosly secure.

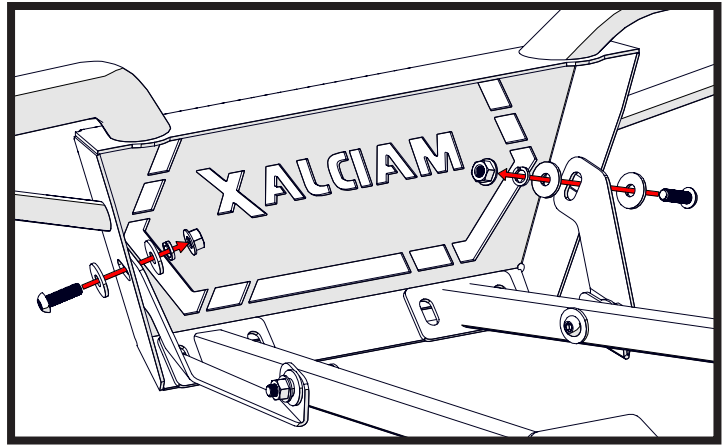
Hand tighten the hardware.



## STEP 7

Using the M8 x 25 button head bolts, nuts, lock washers, and flat washers, attach the **Brush Guard** to the **Side Support Brackets** as shown. The brackets will be on the inside of the brush guard.

Hand tighten the hardware.

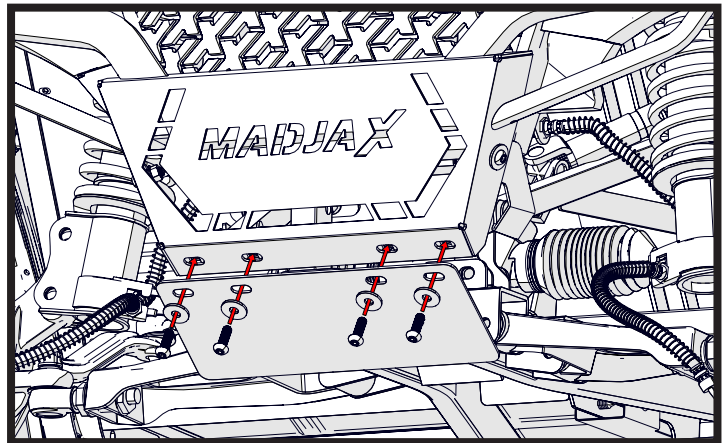


VEHICLE NOT SHOWN FOR CLARITY

## STEP 8

Install the Skid Plate and Brush Guard to the lower mounting holes using M8 x 25mm button head bolts, flat washers, lock washers, and nuts.

Hand tighten the hardware.



## STEP 9



13mm Wrench  
17mm Socket  
5mm Allen

Using the slotted holes in the mounting brackets and brush guard, set the Brush Guard to your desired height and clearance. Use a level to ensure Brush Guard is straight. Tighten all hardware from previous steps.



# INSTALLATION COMPLETE