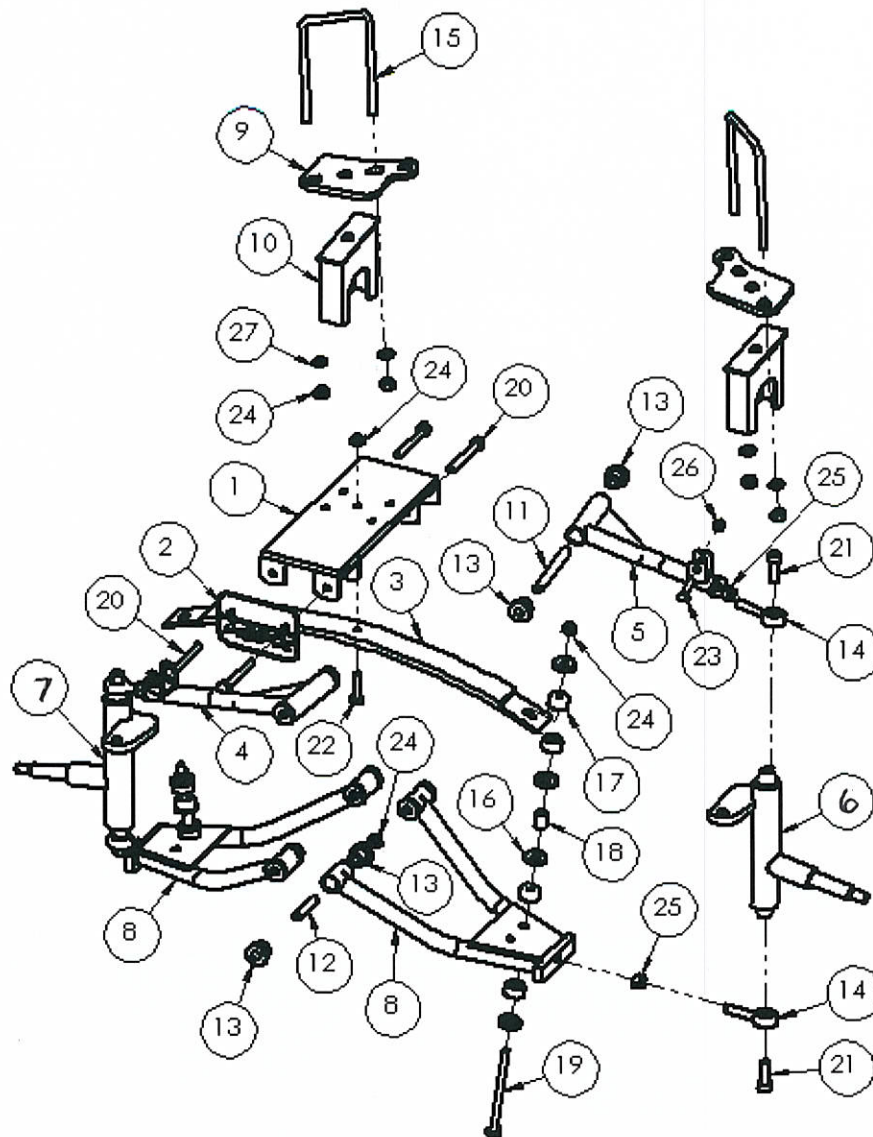


## Madjax 3.5-Inch A-Arm Lift Kit : Fits Club Car Precedent



**16-010**      **Note:** On this lift kit, the tie rod mounts on the spindles face to the front.

No.	Part No.	Description	QTY
1	W16-1-4	Front Main Bracket - Precedent	1
2	W16-1-10	MJFX Logo Plate - Precedent	1
3	W16-1-13	Front Leaf Spring - Precedent	1
4	W16-1-2	Left Upper A-Arm	1
5	W16-1-3	Right Upper A-Arm	1
6	W16-1-15	Left Spindle	1
7	W16-1-16	Right Spindle	1
8	W16-1-11	Lower Control Arm	2
9	W16-1-9	Rear Suspension Mounting Plate - Club Car	2
10	W16-1-6	Rear 3.5-Inch Lift Block - Club Car	2
11	W16-1-17	116mm Bolt Sleeve	2
12	W16-8-6	55mm Bolt Sleeve	4
13	W16-8-1	Upper A-Arm/Lower Control Arm Bushing	12
14	W16-8-3	Heim Joint	4
15	W16-8-5	U-Bolt 106mm x 150mm	2

No.	Part No.	Description	QTY
	W16-8-12	Front Leaf Spring Bolt Assembly 3.5	2
16		Leaf Spring Bushing Cap	4
17		Leaf Spring Bushing	4
18		15mm Bolt Sleeve	1
19		M10x120 Hex Head Bolt	1
24		M10 Locking Nut	1
	W16-1-1	Precedent Lift Kit Hardware Pack	1
20		M10x80 Head Head Bolt	4
21	W16-8-13	M12x35 Hex Socket Cap Bolt	4
22		M10x40 Head Head Bolt	1
23		M8x50 Hex Head Bolt	2
24		M10 Locking Nut	10
25		M12 Nut	6
26		M8 Locking Nut	2
27		M10x20 Flat Washer	4

Revised on 3/19/15 - Revised Image Only to correct orientation of spindles & A-arm parts