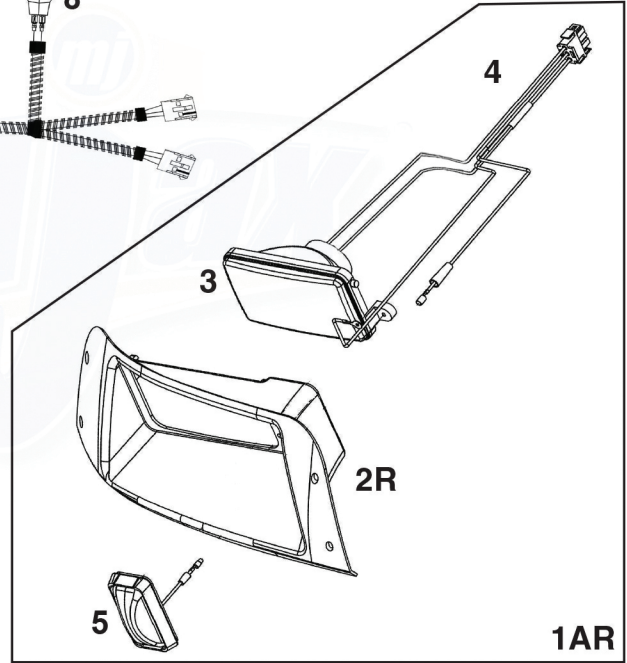
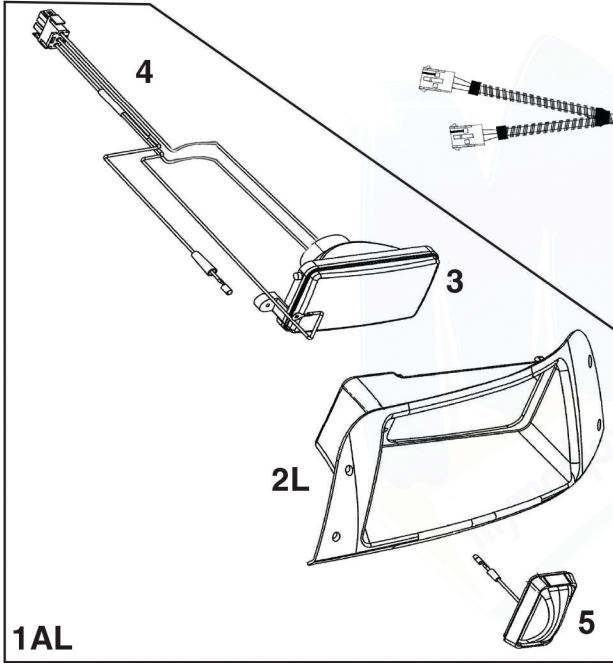
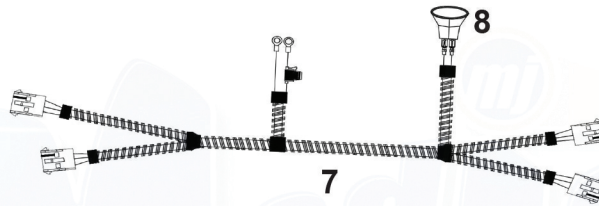


02-034 - LED Light Kit for E-Z-Go TXT (w/ Basic Harness & Old Style Bezel)



1AL

LEFT

1AR

RIGHT

02-034

| No. | Part No. | Description |
|-----|----------|--|
| 1AR | W02-316 | LED Headlight Assembly RH, Complete |
| 1AL | W02-317 | LED Headlight Assembly LH, Complete |
| 2R | W02-308 | Headlight Bezel RH |
| 2L | W02-307 | Headlight Bezel LH |
| 3 | W02-216 | Universal LED Headlight & Lens |
| 4 | W02-313 | LED Headlight Wire Assembly |
| 5 | W02-215 | Universal LED Turn Signal Assembly |
| 6R | W02-314 | LED Tail Light Assembly RH |
| 6L | W02-315 | LED Tail Light Assembly LH |
| 7 | W02-816 | Universal Basic Harness (w/o Headlight Switch) |
| 8 | W02-5-1 | Universal Rocker Switch |

Revised on 6/22/15 - Revised Warranty part # for Item#8 to W02-5-1 (was W02-7-2)