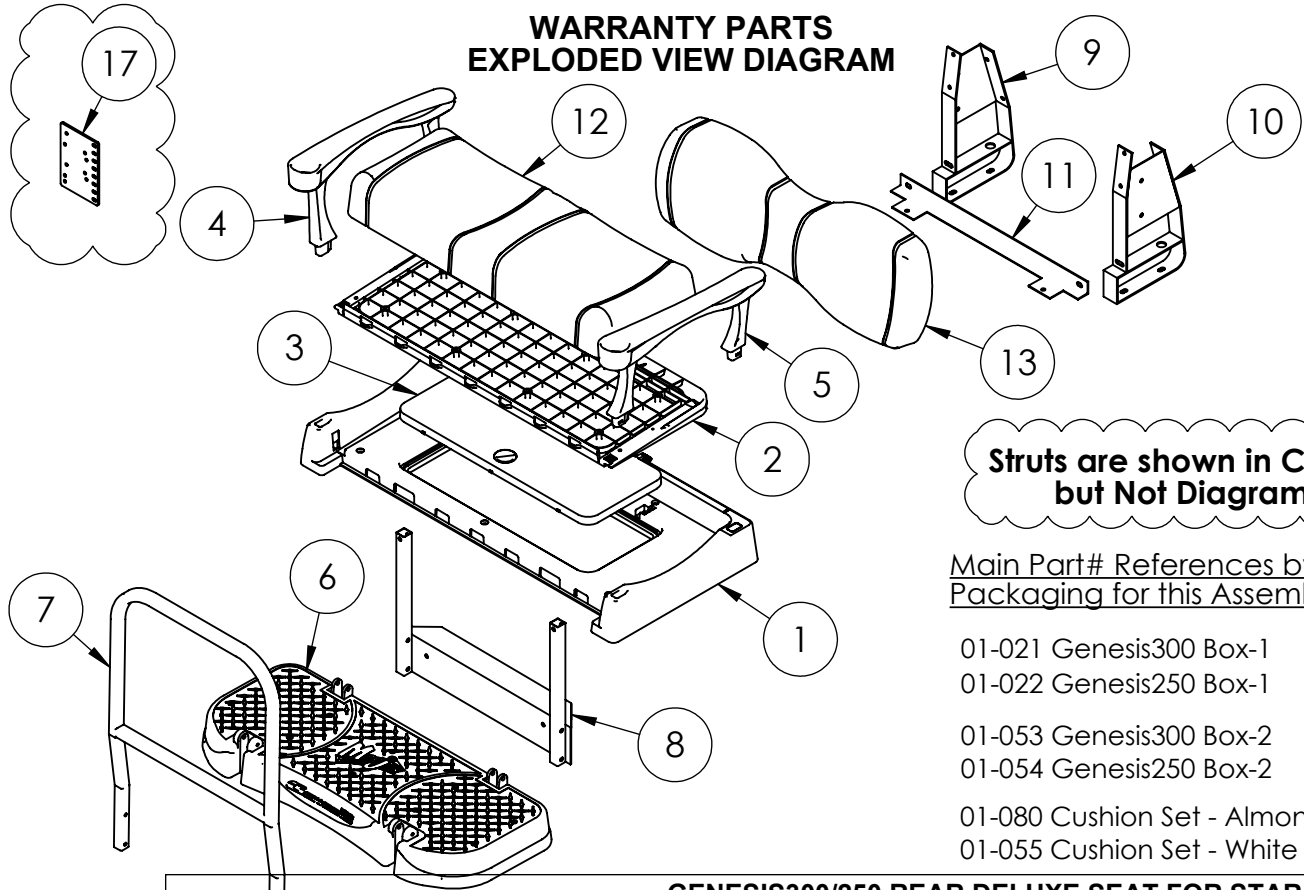


# GENESIS 300/250 REAR DELUXE SEAT FOR STAR CART

## WARRANTY PARTS EXPLODED VIEW DIAGRAM



Struts are shown in Chart  
but Not Diagram

Main Part# References by  
Packaging for this Assembly:

01-021 Genesis300 Box-1

01-022 Genesis250 Box-1

01-053 Genesis300 Box-2

01-054 Genesis250 Box-2

01-080 Cushion Set - Almond

01-055 Cushion Set - White

### GENESIS300/250 REAR DELUXE SEAT FOR STAR CART

ITEM #	DESCRIPTION	PART #	QTY
1	Main Poly Frame (Genesis300 - Aluminum)	W01-9-107	1
	or Main Poly Frame (Genesis250 - Steel)	W01-9-1	
2	Flip Poly Frame	W01-9-2	1
3	Seat Door	W01-9-106	1
4	Armrest - Driver Side	W01-9-4	1
5	Armrest - Pass Side	W01-9-5	1
6	Foot Plate (Genesis300 - Aluminum)	W01-9-105	1
	or Foot Plate (Genesis250 - Steel)	W01-9-6	
7	Star Cart Grab Bar (Genesis300 - Aluminum)	W01-9-70	1
	or Star Cart Grab Bar (Genesis250 - Steel)	W01-9-80	
8	Star Cart Foot Plate Mounting Bracket (Genesis300 - Aluminum)	W01-9-85	1
	or Star Cart Foot Plate Mounting Bracket (Genesis250 - Steel)	W01-9-86	
9	Star Cart Main Bracket - Driver Side (Genesis300 - Aluminum)	W01-9-87	1
	or Star Cart Main Bracket - Driver Side (Genesis250 - Steel)	W01-9-88	
10	Star Cart Main Bracket - Pass Side (Genesis300 - Aluminum)	W01-9-89	1
	or Star Cart Main Bracket - Pass Side (Genesis250 - Steel)	W01-9-90	
11	Star Cart Main Base Bracket (Genesis300 - Aluminum)	W01-9-91	1
	or Star Cart Main Base Bracket (Genesis250 - Steel)	W01-9-92	
12	Star Cart Seat Bottom Cushion - Almond	W01-9-77	1
	or Star Cart Seat Bottom Cushion - White	W01-9-36	
13	Star Cart Seat Back Cushion - Almond	W01-9-78	1
	or Star Cart Seat Back Cushion - White	W01-9-38	
14	Hardware Pack - Star Cart (Not Shown in Diagram)	W01-9-79	1
15	Star Cart Rear Strut - Driver Side (Genesis300 Aluminum)	W01-9-93	1
	or Star Cart Rear Strut - Driver Side (Genesis250 Steel)	W01-9-94	
16	Star Cart Rear Strut - Passenger Side (Genesis300 Aluminum)	W01-9-95	1
	or Star Cart Rear Strut - Passenger Side (Genesis250 Steel)	W01-9-96	
17	Lean Back Bracket (Bracket can go on either side)	W01-9-97	2