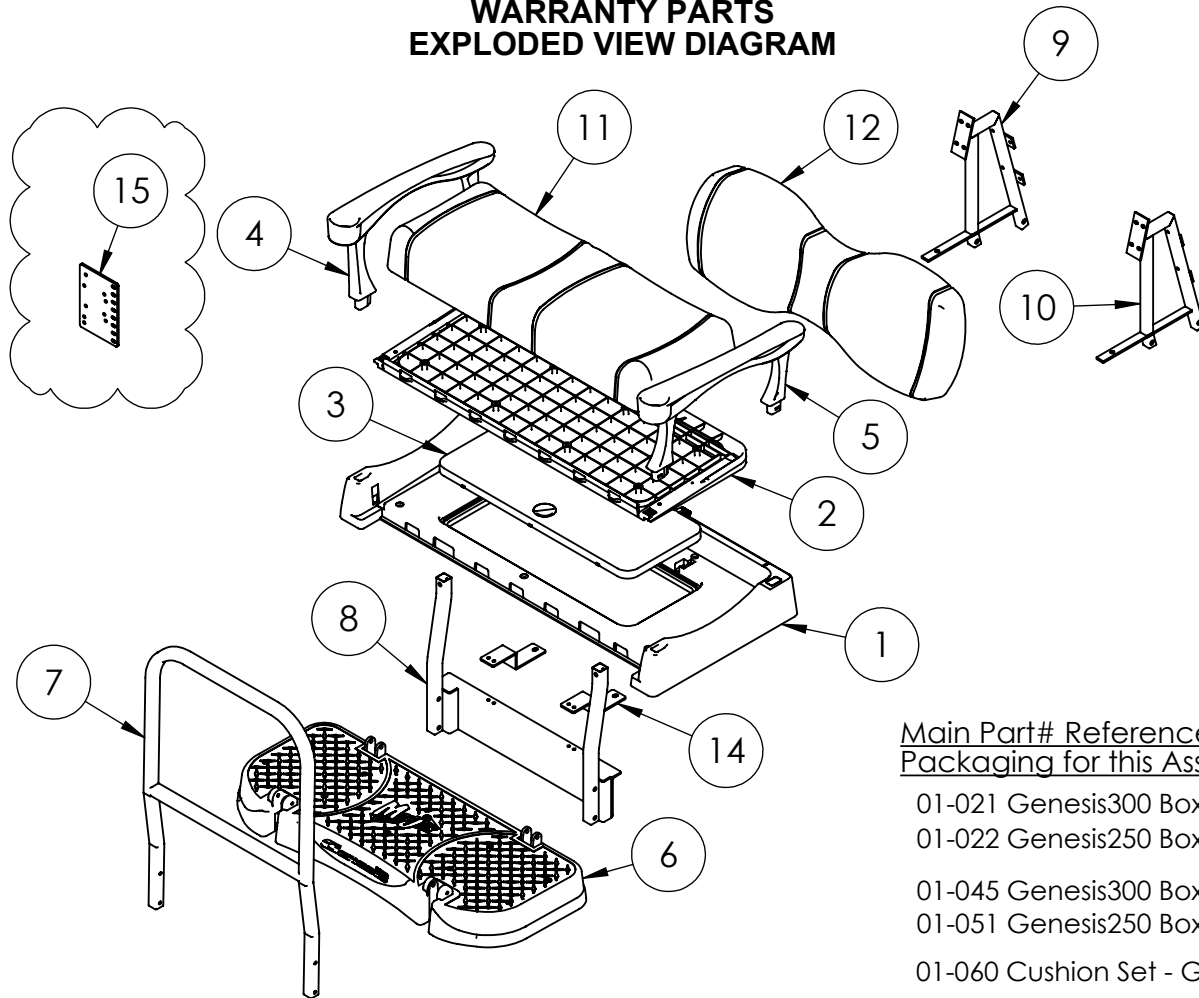


GENESIS 300/250 REAR DELUXE SEAT FOR YAMAHA DRIVE

WARRANTY PARTS EXPLODED VIEW DIAGRAM



Main Part# References by Packaging for this Assembly:

01-021 Genesis300 Box-1

01-022 Genesis250 Box-1

01-045 Genesis300 Box-2

01-051 Genesis250 Box-2

01-060 Cushion Set - Grey

GENESIS300/250 REAR DELUXE SEAT FOR YAMAHA DRIVE			
ITEM #	DESCRIPTION	PART #	QTY
1	Main Poly Frame (Genesis300 - Aluminum)	W01-9-107	1
	or Main Poly Frame (Genesis250 - Steel)	W01-9-1	
2	Flip Poly Frame	W01-9-2	1
3	Seat Door	W01-9-106	1
4	Armrest - Driver Side	W01-9-4	1
5	Armrest - Pass Side	W01-9-5	1
6	Foot Plate (Genesis300 - Aluminum)	W01-9-105	1
	or Foot Plate (Genesis250 - Steel)	W01-9-6	
7	DRIVE Grab Bar (Genesis300 - Aluminum)	W01-9-74	1
	or DRIVE Grab Bar (Genesis250 - Steel)	W01-9-84	
8	DRIVE Foot Plate Mounting Bracket (Genesis300 - Aluminum)	W01-9-49	1
	or DRIVE Foot Plate Mounting Bracket (Genesis250 - Steel)	W01-9-50	
9	DRIVE Main Bracket - Driver Side (Genesis300 - Aluminum)	W01-9-51	1
	or DRIVE Main Bracket - Driver Side (Genesis250 - Steel)	W01-9-52	
10	DRIVE Main Bracket - Pass Side (Genesis300 - Aluminum)	W01-9-53	1
	or DRIVE Main Bracket - Pass Side (Genesis250 - Steel)	W01-9-54	
11	DRIVE Seat Bottom Cushion - Grey	W01-9-55	1
12	DRIVE Seat Back Cushion - Grey	W01-9-56	1
13	Hardware Pack - DRIVE (Not Shown in Diagram)	W01-9-104	1
14	DRIVE Foot Plate Mounting Support Bracket (Genesis300 - Aluminum)	W01-9-26	2
	or DRIVE Foot Plate Mounting Support Bracket (Genesis250 - Steel)	W01-9-27	
15	Lean Back Bracket (Bracket can go on either side)	W01-9-97	2